

MS3482 - Connector Wrench MIL-DTL-81511 Series I and III

MS3482-18-6

Basic Part No. _____

Dash No. _____

Polarization Position
(1, 2, 3, 4, 5, 6)

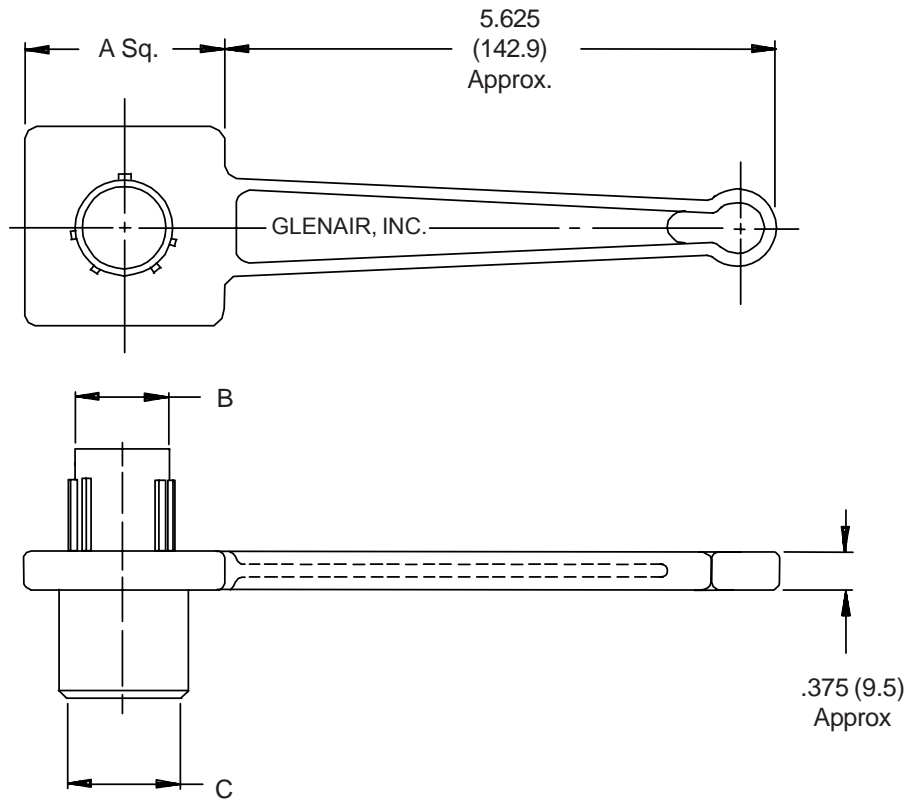


TABLE I

Shell Size	A Dim. ±.060 (.15)	B Dia.		C Dia.	
		+0.001 (.1)	-0.008 (.2)	±.003 (.1)	
8	1.250 (31.8)	.381 (9.7)	.389 (9.9)		
10	1.250 (31.8)	.506 (12.9)	.514 (13.1)		
14	2.000 (50.8)	.756 (19.2)	.764 (19.4)		
16	2.000 (50.8)	.882 (22.4)	.890 (22.6)		
18	2.000 (50.8)	1.006 (25.6)	1.014 (25.8)		

1. For complete dimensions see applicable Military Specification.
2. Metric dimensions (mm) are indicated in parentheses.
3. Material: Aluminum alloy with electroless nickel finish.