

MS3115 Dummy Stowage Receptacle



Dummy
Stowage
Receptacles

**Mating Connector
MIL-DTL-26482**

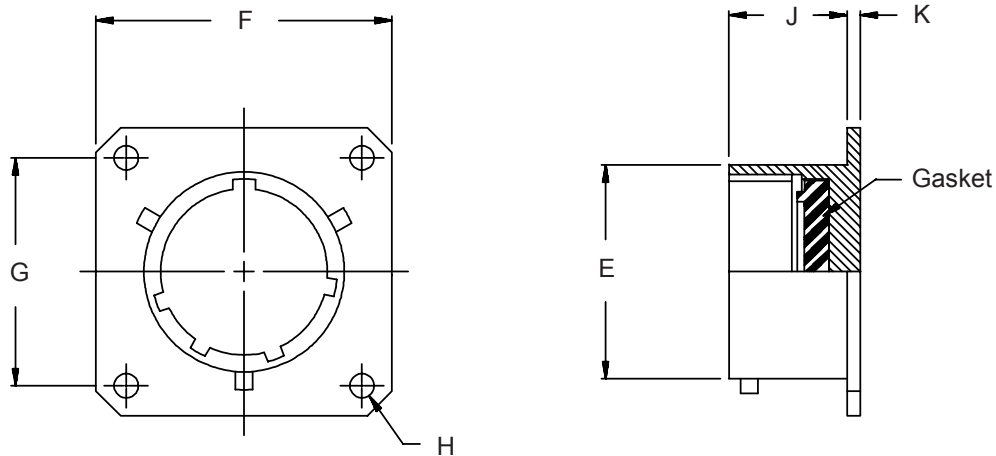
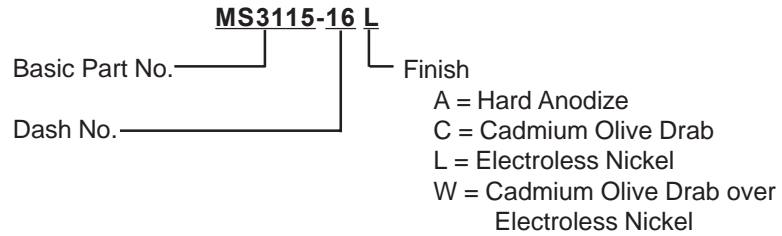


TABLE I

Shell Size	E Dia ±.003 (.1)	F Max	G Dim	H Dia ±.005 (0.1)	J ±.016 (.4)	K ±.016 (.4)
8	.471 (12.0)	.828 (21.0)	.594 (15.1)	.120 (3.0)	.478 (12.1)	.062 (1.6)
10	.588 (14.9)	.954 (24.2)	.719 (18.3)	.120 (3.0)	.478 (12.1)	.062 (1.6)
12	.748 (19.0)	1.047 (26.6)	.812 (20.6)	.120 (3.0)	.478 (12.1)	.062 (1.6)
14	.873 (22.2)	1.141 (29.0)	.906 (23.0)	.120 (3.0)	.478 (12.1)	.062 (1.6)
16	.998 (25.3)	1.234 (31.3)	.969 (24.6)	.120 (3.0)	.478 (12.1)	.062 (1.6)
18	1.123 (28.5)	1.328 (33.7)	1.062 (27.0)	.120 (3.0)	.478 (12.1)	.062 (1.6)
20	1.248 (31.7)	1.453 (36.9)	1.156 (29.4)	.120 (3.0)	.572 (14.5)	.094 (2.4)
22	1.373 (34.9)	1.578 (40.1)	1.250 (31.8)	.120 (3.0)	.572 (14.5)	.094 (2.4)
24	1.498 (38.0)	1.703 (43.3)	1.375 (34.9)	.147 (3.7)	.605 (15.4)	.094 (2.4)

1. For complete dimensions see applicable Military Specification.
2. Metric dimensions (mm) are indicated in parentheses.