

# AS85049/77 EMI/RFI Environmental Backshell



EMI/RFI  
Environmental  
Backshells

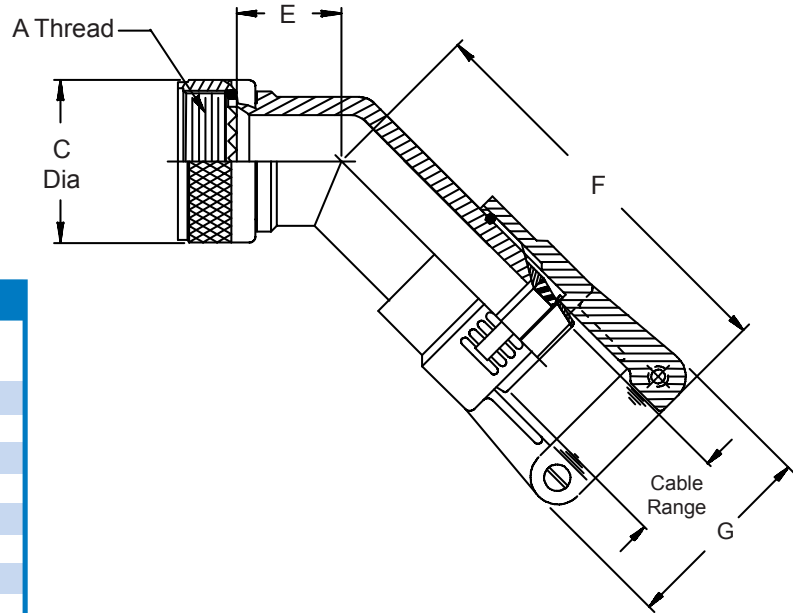
**Glenair Connector  
Designator F**

**MIL-DTL38999 Series I & II,  
40M38277, PAN 6433-1,  
PATT 614, PATT 616,  
NFC93422 Series HE308 &  
HE309**

**M85049/77-10 W 01**

Basic Part No. \_\_\_\_\_  
Shell Size \_\_\_\_\_  
Clamp Size \_\_\_\_\_  
Finish \_\_\_\_\_

N = Electroless Nickel  
W = 1,000 Hr. Cadmium Olive  
Drab Over Electroless Nickel



| Shell Size | A Thread Class 2B | C Dia Max   |
|------------|-------------------|-------------|
| 08         | .438 - 28 UNEF    | .75 (19.1)  |
| 10         | .562 - 24 UNEF    | .85 (21.6)  |
| 12         | .688 - 24 UNEF    | 1.00 (25.4) |
| 14         | .813 - 20 UNEF    | 1.15 (29.2) |
| 16         | .938 - 20 UNEF    | 1.25 (31.8) |
| 18         | 1.063 - 18 UNEF   | 1.40 (35.6) |
| 20         | 1.188 - 18 UNEF   | 1.55 (39.4) |
| 22         | 1.313 - 18 UNEF   | 1.65 (41.9) |
| 24         | 1.438 - 18 UNEF   | 1.85 (47.0) |

| Shell Size | Shell Size Series 1 |     | Clamp Size | E           |              | F           |  |
|------------|---------------------|-----|------------|-------------|--------------|-------------|--|
|            | Ref.                | Min |            | Max         | ±.062 (1.6)  | ±.062 (1.6) |  |
| 08         | 09                  | 01  | 02         | .398 (10.1) | 3.088 (78.4) |             |  |
| 10         | 11                  | 01  | 03         | .458 (11.6) | 3.148 (80.0) |             |  |
| 12         | 13                  | 02  | 04         | .518 (13.2) | 3.208 (81.5) |             |  |
| 14         | 15                  | 02  | 05         | .588 (14.9) | 3.298 (83.8) |             |  |
| 16         | 17                  | 02  | 06         | .678 (17.2) | 3.408 (86.6) |             |  |
| 18         | 19                  | 03  | 07         | .868 (22.0) | 3.598 (91.4) |             |  |
| 20         | 21                  | 03  | 08         | .868 (22.0) | 3.598 (91.4) |             |  |
| 22         | 23                  | 03  | 09         | .958 (24.3) | 3.748 (95.2) |             |  |
| 24         | 25                  | 04  | 10         | .958 (24.3) | 3.748 (95.2) |             |  |

| Clamp Size | Cable Range  |              |              |              | G Max       |
|------------|--------------|--------------|--------------|--------------|-------------|
|            | Min          | Max          | Min          | Max          |             |
| 01         | .062 (1.6)   | .125 (3.2)   | .250 (6.4)   | .375 (9.5)   | .80 (20.3)  |
| 02         | .125 (3.2)   | .250 (6.4)   | .375 (9.5)   | .500 (12.7)  | 1.00 (25.4) |
| 03         | .250 (6.4)   | .375 (9.5)   | .500 (12.7)  | .625 (15.9)  | 1.10 (27.9) |
| 04         | .375 (9.5)   | .500 (12.7)  | .625 (15.9)  | .750 (19.1)  | 1.20 (30.5) |
| 05         | .500 (12.7)  | .625 (15.9)  | .750 (19.1)  | .875 (22.2)  | 1.25 (31.8) |
| 06         | .625 (15.9)  | .750 (19.1)  | .875 (22.2)  | 1.000 (25.4) | 1.40 (35.6) |
| 07         | .750 (19.1)  | .875 (22.2)  | 1.000 (25.4) | 1.125 (28.6) | 1.50 (38.1) |
| 08         | .875 (22.2)  | 1.000 (25.4) | 1.125 (28.6) | 1.250 (31.8) | 1.65 (41.9) |
| 09         | 1.000 (25.4) | 1.125 (28.6) | 1.250 (31.8) | 1.375 (34.9) | 1.75 (44.5) |
| 10         | 1.125 (28.6) | 1.250 (31.8) | 1.375 (34.9) | 1.500 (38.1) | 1.90 (48.3) |

1. For complete dimensions see applicable Military Specification.
2. Metric dimensions (mm) are indicated in parentheses.
3. Cable range is defined as the accommodation range for the wire bundle or cable. Dimensions shown are not intended for inspection criteria.