

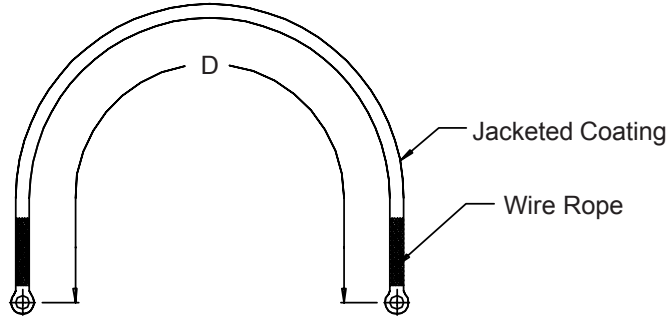
AS85049/44 and M83733/16 Rectangular Backshells



Rectangular
Backshells

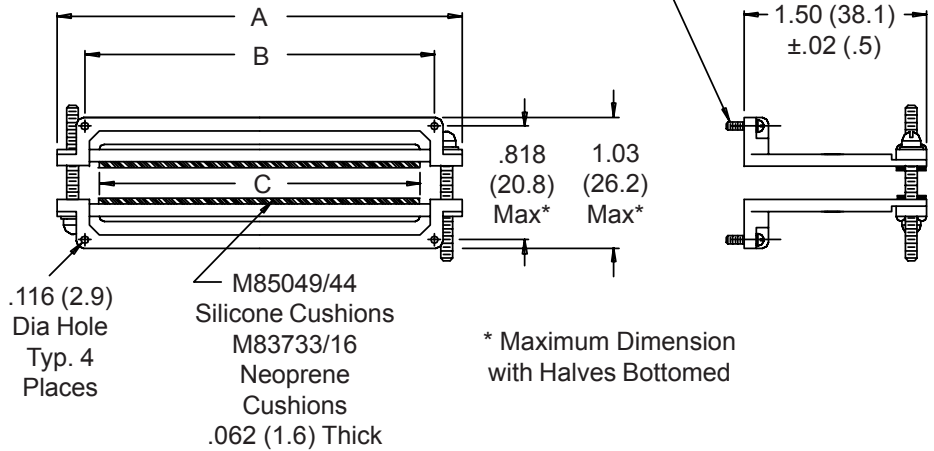
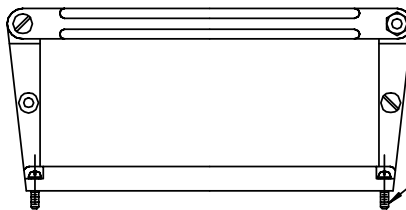
Connector Interface
MIL-DTL-83733

M85049/44-3
Basic Part No. _____
Dash No. _____



Superceded Part Number

M83733/16-3
Basic Part No. _____
Dash No. _____



* Maximum Dimension
with Halves Bottomed

TABLE I

Dash No.	A ±.062 (1.57)	B ±.005 (.13)	C ±.062 (1.57)	D ±.062 (1.57)
1	2.437 (61.90)	1.895 (48.13)	1.700 (43.18)	*
2	3.750 (95.25)	3.195 (81.15)	3.000 (76.20)	*
3	2.437 (61.90)	1.895 (48.13)	1.700 (43.18)	10.375 (263.53)
4	3.750 (95.25)	3.195 (81.15)	3.000 (76.20)	10.375 (263.53)

* No Wire Rope Supplied

1. For complete dimensions see applicable Military Specification.
2. Metric dimensions (mm) are indicated in parentheses.