

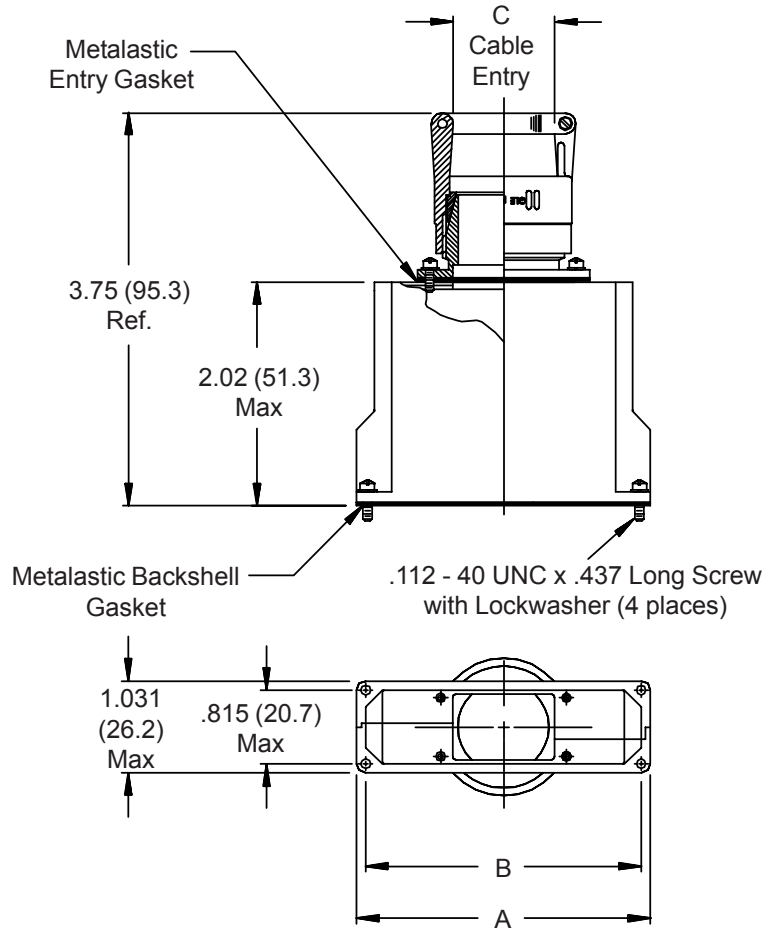
## AS85049/28 and M83733/15 Rectangular Backshells

Connector Interface  
MIL-DTL-83733

**M85049/28-2**  
Basic Part No. \_\_\_\_\_  
Dash No. \_\_\_\_\_

### Superceded Part Number

**M83733/15-2**  
Basic Part No. \_\_\_\_\_  
Dash No. \_\_\_\_\_



**TABLE I**

Dash No.	A Max	B Max	C Cable Entry	
			Min	Max
1	2.126 (54.0)	1.900 (48.3)	.500 (12.7)	.625 (15.9)
2	2.126 (54.0)	1.900 (48.3)	.625 (15.9)	.750 (19.1)
3	3.426 (87.0)	3.200 (81.3)	.500 (12.7)	.625 (15.9)
4	3.426 (87.0)	3.200 (81.3)	.625 (15.9)	.750 (19.1)

1. For complete dimensions see applicable Military Specification.
2. Metric dimensions (mm) are indicated in parentheses.
3. Cable entry is defined as the accommodation range for the wire bundle or cable. Dimensions shown are not intended for inspection criteria.