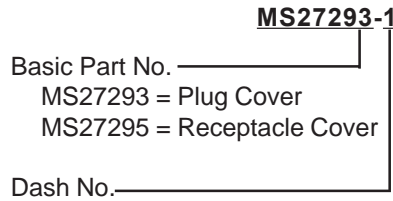
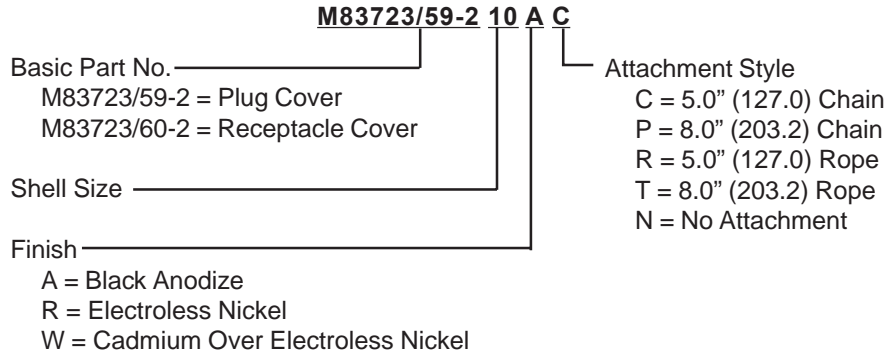


# M83723/59-2, M83723/60-2, MS27293 and MS27295 Protective Covers

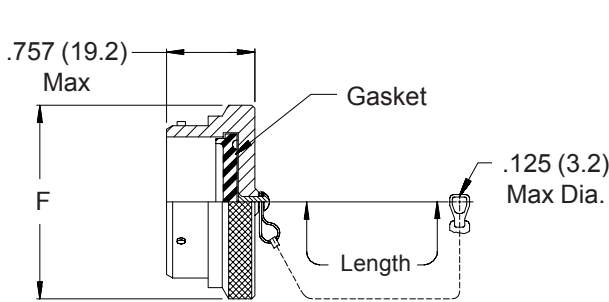


Protective  
Covers

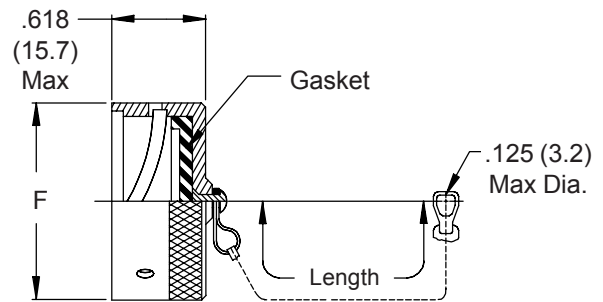
MIL-DTL-83723  
Series III  
Bayonet



**Superceded Part Number  
See Note 3**



**M83723/59-2 Plug Cover  
M27293 Plug Cover (See Note 3)**



**M83723/60-2 Receptacle Cover  
M27295 Receptacle Cover (See Note 3)**

TABLE I		
Shell Size	M27294 M27295 Dash No.	F Dia Max
8	7	.776 (19.7)
10	1	.906 (23.0)
12	2	1.078 (27.4)
14	3	1.141 (29.0)
16	4	1.266 (32.2)
18	5	1.375 (34.9)
20	8	1.510 (38.4)
22	6	1.625 (41.3)
24	9	1.760 (44.7)

1. For complete dimensions see applicable Military Specification.
2. Metric dimensions (mm) are indicated in parentheses.
3. MS27293 and MS27295 have a black anodize finish. Dash no.'s 1, 2, and 7 have 3.0" (76.2) wire rope attachment and other dash no.'s have a 5.0" (127.0) wire rope attachment.