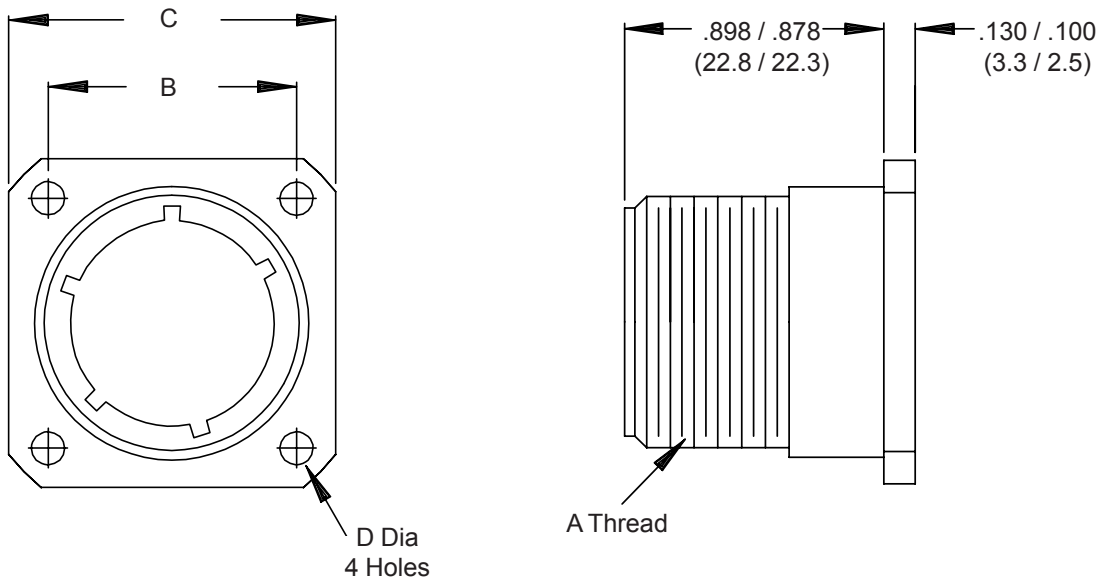
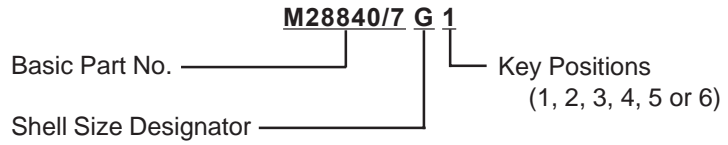


# M28840/7 Dummy Stowage Receptacle

**Mating Connector  
MIL-C-28840**



**TABLE I**

Shell Size Designator	Shell Size Ref.	E Thread	B Dim	C Max	D Max
A	11	0.750-0.1P-0.2L-DS	.750 (19.1)	1.043 (26.5)	.130 (3.3)
B	13	0.875-0.1P-0.2L-DS	.843 (21.4)	1.158 (29.4)	.130 (3.3)
C	15	1.062-0.1P-0.2L-DS	.968 (24.6)	1.278 (32.5)	.130 (3.3)
D	17	1.125-0.1P-0.2L-DS	1.015 (25.8)	1.403 (35.6)	.130 (3.3)
E	19	1.312-0.1P-0.2L-DS	1.140 (29.0)	1.528 (38.8)	.130 (3.3)
F	23	1.500-0.1P-0.2L-DS	1.281 (32.5)	1.738 (44.1)	.130 (3.3)
G	25	1.625-0.1P-0.2L-DS	1.392 (35.4)	1.838 (46.7)	.157 (4.0)
H	29	1.812-0.1P-0.2L-DS	1.568 (39.8)	2.158 (54.8)	.157 (4.0)
J	33	2.000-0.1P-0.2L-DS	1.734 (44.0)	2.348 (59.6)	.183 (4.6)

1. For complete dimensions see applicable Military Specification.
2. Metric dimensions (mm) are indicated in parentheses.
3. Finish is cadmium olive drab over electroless nickel (500 hour salt spray).