

M28840/13 and M28840/15 Protective Covers

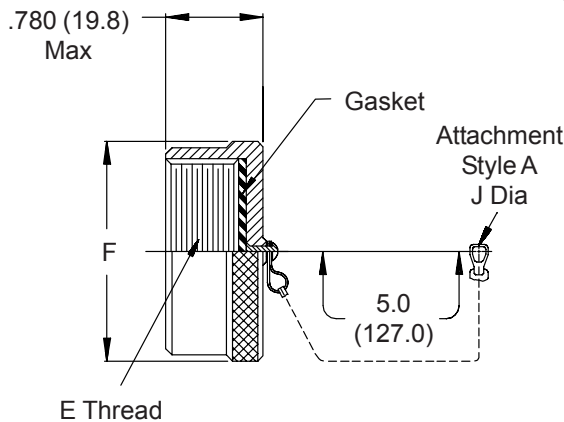


MIL-C-28840

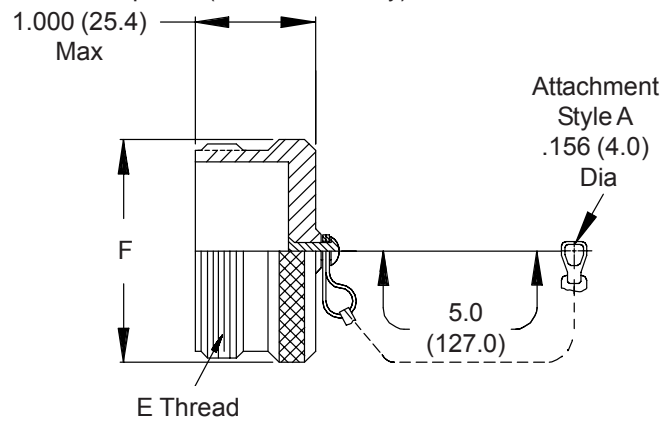
Basic Part No. _____ **M28840/13 H A W** _____
 M28840/13 = Receptacle Cover
 M28840/15 = Plug Cover
 Material and Finish
 W = Aluminum, 500 Hour
 Cadmium Olive Drab

- For complete dimensions see applicable Military Specification.
- Metric dimensions (mm) are indicated in parentheses.

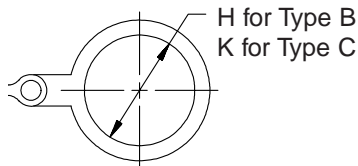
Shell Size Designator _____
 Attachment Style _____
 A = Chain with Fastener
 B = Chain with Ring for Jam Nut Receptacle (M28840/13)
 B = Chain with Ring (M28840/15)
 C = Chain with Ring for Cable Receptacle (M28840/13 Only)



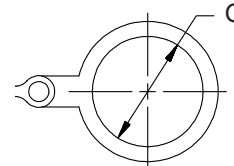
M28840/13 Receptacle Cover



M28840/15 Plug Cover



M28840/13 Attachment Types B & C



M28840/15 Attachment Type B

TABLE I

Shell Size Design.	Shell Size (Ref.)	E Thread	F Max	G Dia ±.010 (.3)	H Dia ±.010 (.3)	J Dia ±.005 (.1)	K Dia ±.010 (.3)
A	11	0.750-0.1P-0.2L-DS	1.028 (26.1)	.765 (19.4)	.890 (22.6)	.130 (3.3)	.765 (19.4)
B	13	0.875-0.1P-0.2L-DS	1.141 (29.0)	.890 (22.6)	1.015 (25.8)	.130 (3.3)	.890 (22.6)
C	15	1.062-0.1P-0.2L-DS	1.263 (32.1)	1.015 (25.8)	1.203 (30.6)	.130 (3.3)	1.015 (25.8)
D	17	1.125-0.1P-0.2L-DS	1.387 (35.2)	1.140 (29.0)	1.265 (32.1)	.130 (3.3)	1.140 (29.0)
E	19	1.312-0.1P-0.2L-DS	1.513 (38.4)	1.265 (32.1)	1.453 (36.9)	.130 (3.3)	1.265 (32.1)
F	23	1.500-0.1P-0.2L-DS	1.703 (43.3)	1.453 (36.9)	1.640 (41.7)	.130 (3.3)	1.453 (36.9)
G	25	1.625-0.1P-0.2L-DS	1.825 (46.4)	1.577 (40.1)	1.765 (44.8)	.156 (4.0)	1.577 (40.1)
H	29	1.812-0.1P-0.2L-DS	2.143 (54.4)	1.890 (48.0)	1.953 (49.6)	.156 (4.0)	1.890 (48.0)
J	33	2.000-0.1P-0.2L-DS	2.329 (59.2)	2.077 (52.8)	2.140 (54.4)	.193 (4.9)	2.077 (52.8)